



Bobcat®

E45

Compact Excavators



**SMOOTH
POWER
BY BOBCAT**



Standard Features

1960 mm dozer blade	Hom
400 mm rubber tracks	Hydraulic joystick controls
Auto idle	Lockable storage compartment
Auxiliary hydraulics with quick couplers	Radio/MP3 ready
Blade float feature	Retractable seat belt
Cab light	Suspension seat with high back
Clamp ready	* TOPS/ROPS cab with heating
Control console locks	Two-speed travel
Cupholder	Work lights (boom and upperstructure)
Engine/hydraulic monitor with shutdown	Warranty: 12 months, 2000 hours (Whichever occurs first)
Fingertip auxiliary and offset hydraulic control	

Weights

Operating weight with ROPS canopy	— kg
Operating weight with ROPS cab	4634 kg
Additional weight for cab with heating	— kg
Additional weight for cab with HVAC	140 kg
Additional weight for steel tracks	131 kg
Additional weight for long dipperstick	216 kg

Engine

Make / model	Kubota / V2403-M-DIE3B-BC-5
Fuel / Cooling	Diesel / Liquid, forced circulation
Bore / Stroke	87.1 mm / 102.4 mm
Maximum net power at 2450 RPM (SAE J1995)	30.2 kW
Maximum net torque at 1400 RPM (SAE J1995)	152.7 Nm
Number of cylinders	4
Displacement	2.433 l

Performance

Digging force, standard dipperstick	25700 N
Digging force, long dipperstick	23700 N
Digging force, bucket	35800 N
Drawbar pull	40447 N
Ground pressure with standard dipperstick and rubber tracks	25.4 kPa
Ground pressure with standard dipperstick and steel tracks	26.1 kPa
Ground pressure with long dipperstick and rubber tracks	26.6 kPa
Ground pressure with long dipperstick and steel tracks	27.3 kPa
Travel speed, low range	2.4 km/h
Travel speed, high range	4.2 km/h
Maximum digging depth, standard dipperstick	3300 mm
Maximum digging depth, long dipperstick	3600 mm

Hydraulic System

Pump type	Single outlet variable displacement, load sensing torque limited pump
Piston pump capacity	99.1 l/min
Auxiliary flow	75.7 l/min
Port relief pressure for boom, bucket and dipperstick circuits	290 Bar

Fluid Capacities

Cooling system	8.3 l
Engine lubrication plus oil filter	7.1 l
Fuel reservoir	79.9 l
Hydraulic reservoir	15.1 l
Hydraulic system with bucket and dipper cylinder retracted, bucket on the ground, and blade down	54.9 l

Controls

Steering	Direction and speed controlled by two pilot-operated hand levers or two foot pedals
Auxiliary hydraulics	Electric switch in right joystick (left joystick for 2 nd auxiliary)

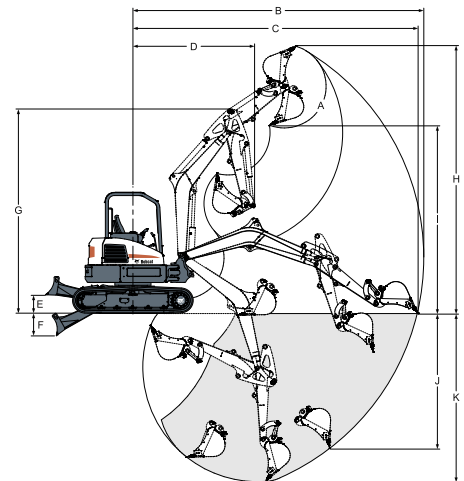
Slew System

Boom swing, left	75°
Boom swing, right	50°
Slew rate	9.0 RPM

Traction

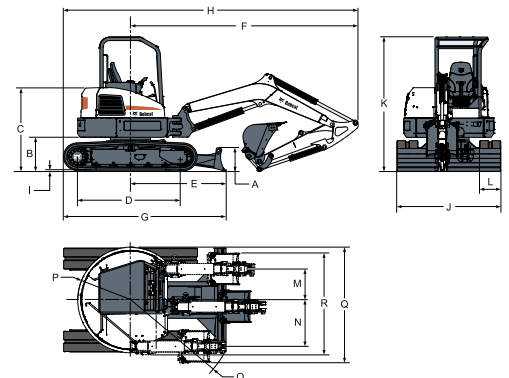
Track width	400 mm
Gradeability	30°

Working Range



(B) 6083 mm	(G) 4095 mm	(I) 3879 mm
(C) 5964 mm	(H) 5527 mm	(J) 2820 mm
(D) 2573 mm	(E) 384 mm	(K) 3600 mm
(A) 185°	(F) 465 mm	(I) 3697 mm
(B) 5802 mm	(G) 4095 mm	(J) 2531 mm
(C) 5670 mm	(H) 5345 mm	(K) 3300 mm
(D) 2491 mm		

Dimensions



(F) 4118 mm	(H) 5379 mm	(O) 4110 mm
(A) 446 mm	(G) 3058 mm	(M) 586 mm
(B) 640 mm	(I) 5353 mm	(N) 872 mm
(C) 1575 mm	(J) 25 mm	(O) 3973 mm
(D) 1998 mm	(K) 1960 mm	(P) 980 mm
(E) 1797 mm	(L) 2532 mm	(Q) 997 mm
(F) 4092 mm	(M) 400 mm	(R) 1989 mm
		(S) 2074 mm

Options

Air conditioning (Cab with HVAC)	Lifting chain kit
Long dipperstick with extra counterweight	Travel motion alarm
2 nd Auxiliary hydraulics	400 mm Steel tracks
Deluxe textile suspension seat	Beacon kit
Boom safety valve with overload warning	Left and right mirror kit
Boom & arm safety valves with overload warning	Additional work light kit
AM/FM MP3 stereo radio	Rubber bolt-on pads for steel tracks
FOGS kit (Overhead guard)	Special applications kit (Front windscreen protection)

Attachments

Auger	Digging bucket
Grading bucket	Tilt rotator
Hydraulic breaker	Tilt bucket / Swivel bucket
Hydraulic clamp	



www.bobcat.eu